

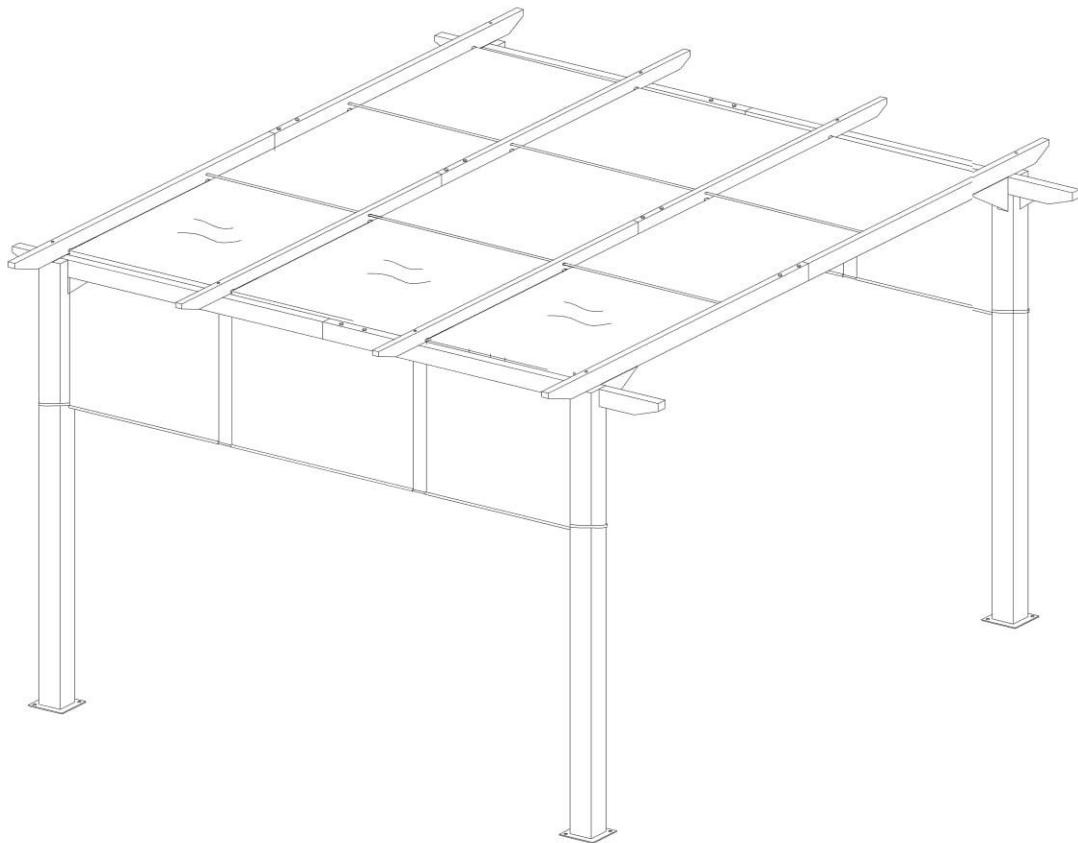
# Assembly Instructions

**Caution :** You must read this before you proceed.











**Read all instructions before assembling and using this product**








1. **Select ideal location.** Set out all parts on a clear and level surface prior to assembly. Ideally, the Gazebo should be set up in the desired location to avoid moving it after assembly.
2. **Team Work.** We recommend 4-5 adults and it may require 3 to 4 hours to fully assemble the Gazebo. If possible, please use safety ladders.
3. **Use caution.** During the entire assembly process, especially when lifting heavy or large parts or using ladders, pay attention to safety. No one other than the assistants should be allowed in the work area.
4. **Check all available parts.** Before assembling your Gazebo Frame, make sure that you have all the parts described in the Parts List.
5. **Ensure that ALL BOLTS are fully and securely bolted in before you proceed to attach the Canopies.**
6. **Keep children away.** Children shouldn't be allowed in the work area. Do not let them handle parts and tools. Do not allow children to climb the Gazebo.
7. **It is recommended that the canopy be removed during strong windy conditions.**

## Gazebo

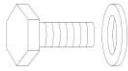
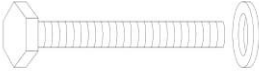
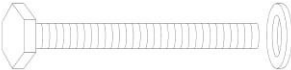





## Parts List

Label	Picture	Description	QTY
A		Outer Crossbar	2
B		Outer Crossbar	2
C		Center Crossbar	2
D		Center Crossbar	2
E		Crossbar	2
F		Crossbar	2
G		Main Pillar	4
H		Brace	4
I		Pull Tube	2
J		Pull Tube	2

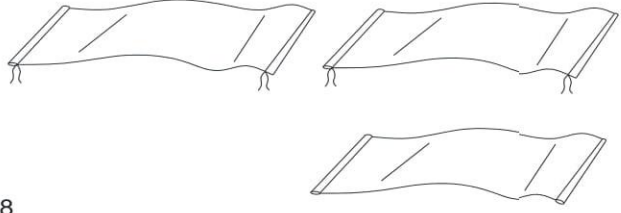
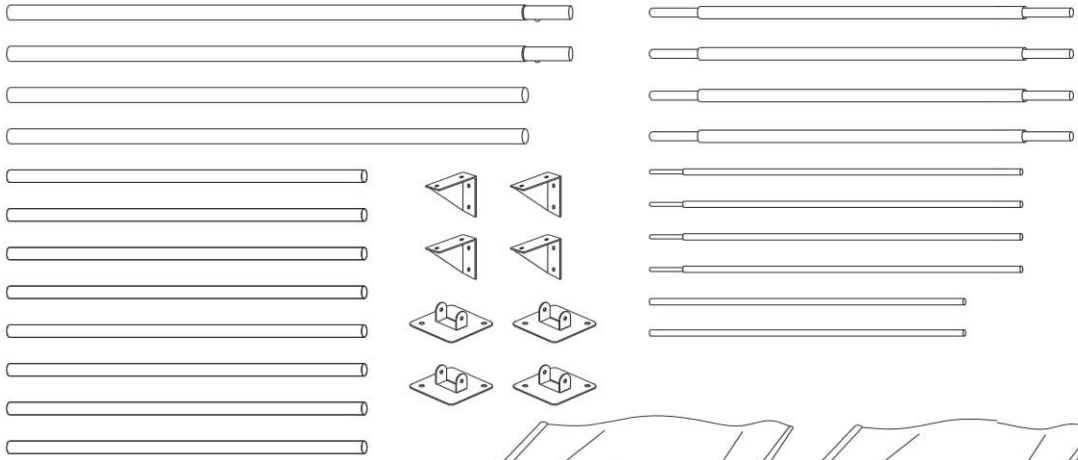
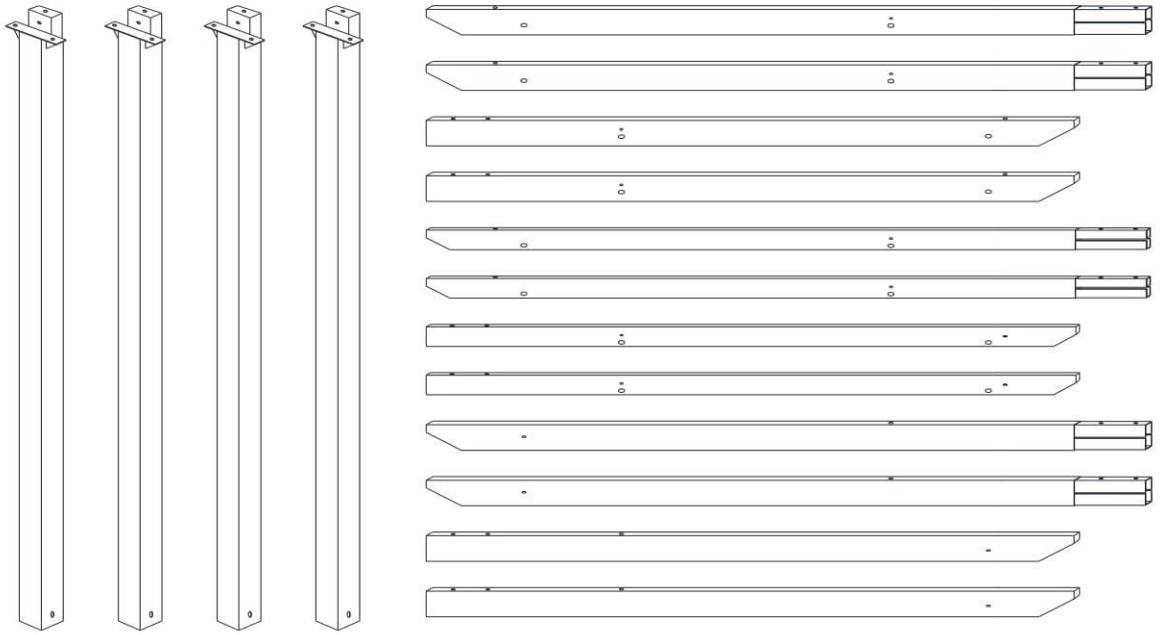
K		Supporting Fabric Tube	8
L		Supporting Fabric Tube	4
M		Pressing Fabric Tube	4
N		Pressing Fabric Tube	2
O		Base Plate	4
P		Canopy	2
Q		Canopy	1




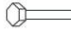


## Hardware

Label	Picture	Description	QTY
①		Bolt/Washer (M6*15)	54
②		Bolt/Washer (M6*42)	5
③		Bolt/Washer (M6*50)	5
④		Bolt/Washer (M6*72)	5
⑤		Wrench	1
⑥		Stake	8

# Assembly Preparation

Before Beginning Assembly:



-  x54
-  x5
-  x5
-  x5
-  x1
-  x8



- Read instructions, cover to cover-



- Have 4-5 adults on hand for assembly-



- Do not assemble on flooring or carpet-

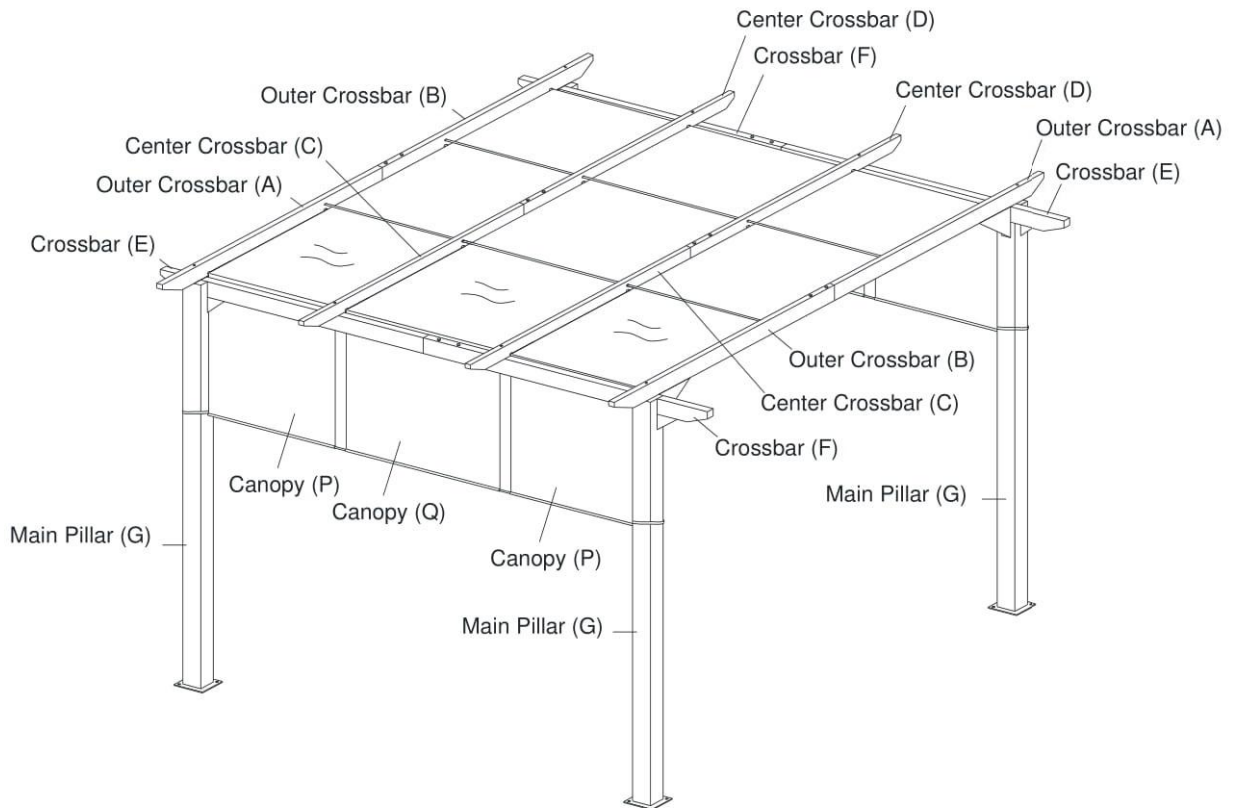


- Assemble on a clean non-marring surface (packing foam)-



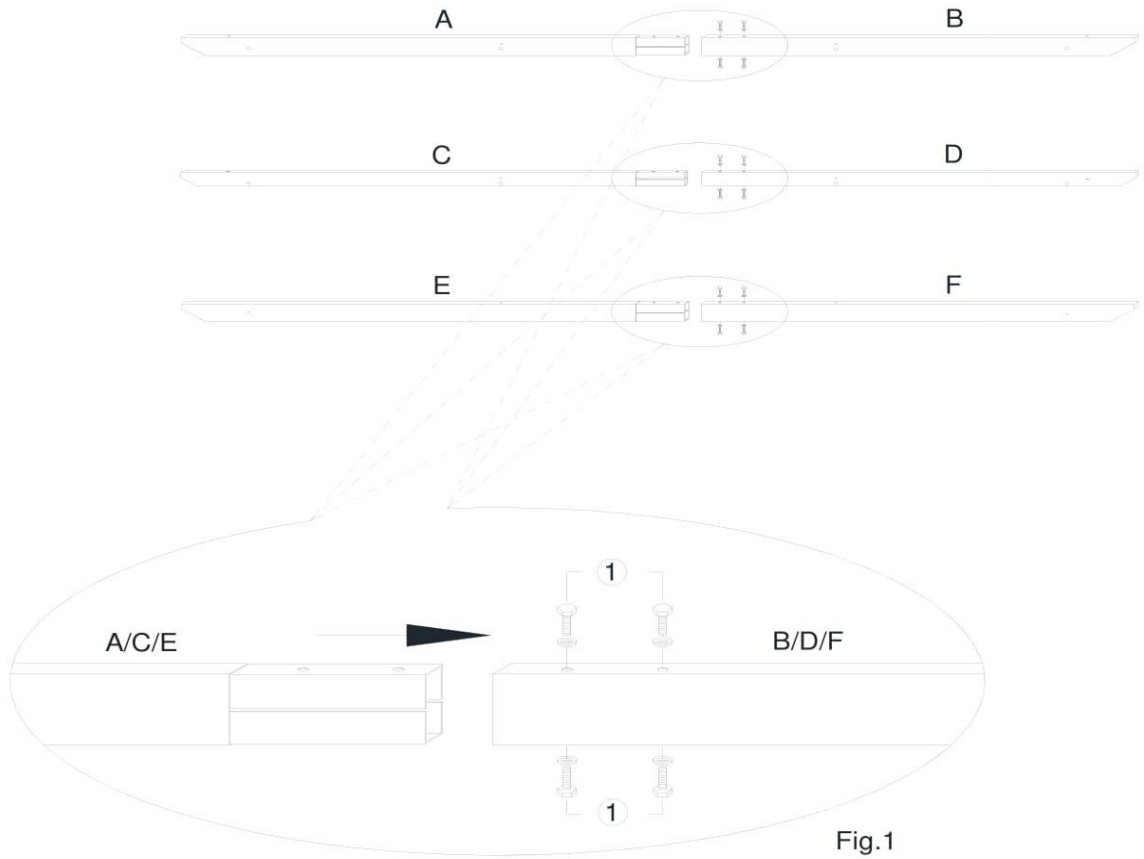
- Save all packaging until finished-

## Assembly Steps



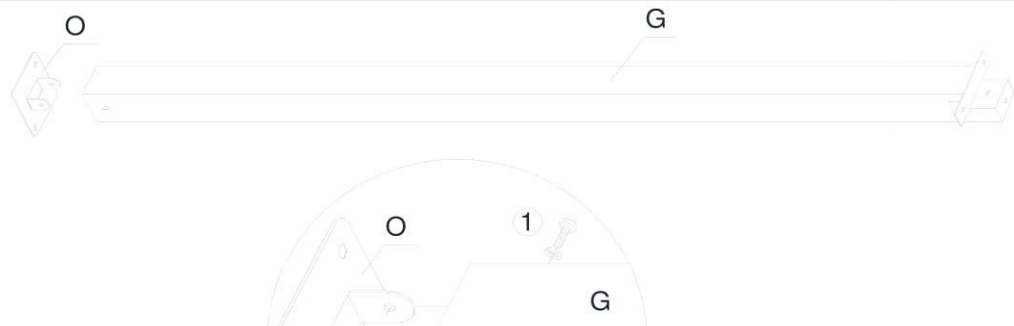
This Gazebo has multiple parts and may require up to 3-4 hours to assemble. To give you an overview of the Gazebo parts, the above picture is to help you put the various parts into perspective. Please read through the instructions below to familiarise yourself with the parts and steps before assembly.

**Step 1**



Attach Outer Crossbars(A) to Outer Crossbars(B) using Bolts(①) with Wrench(⑤).  
Attach Center Crossbars(C) to Center Crossbars(D) using Bolts(①) with Wrench(⑤).  
Attach Crossbars(E) to Crossbars(F) using Bolts(①) with Wrench(⑤). (See Fig. 1)  
**Tighten all Bolts in a sequential manner.**

**Step 2**



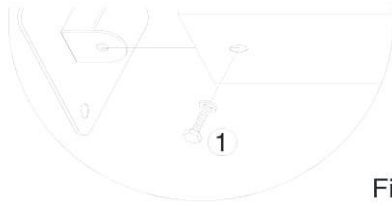


Fig.2

Attach the Base Plates(O) to the Main Pillars(G) using Bolts(1) with Wrench(5). (See Fig. 2)  
**Tighten all Bolts in a sequential manner.**

**Step 3**

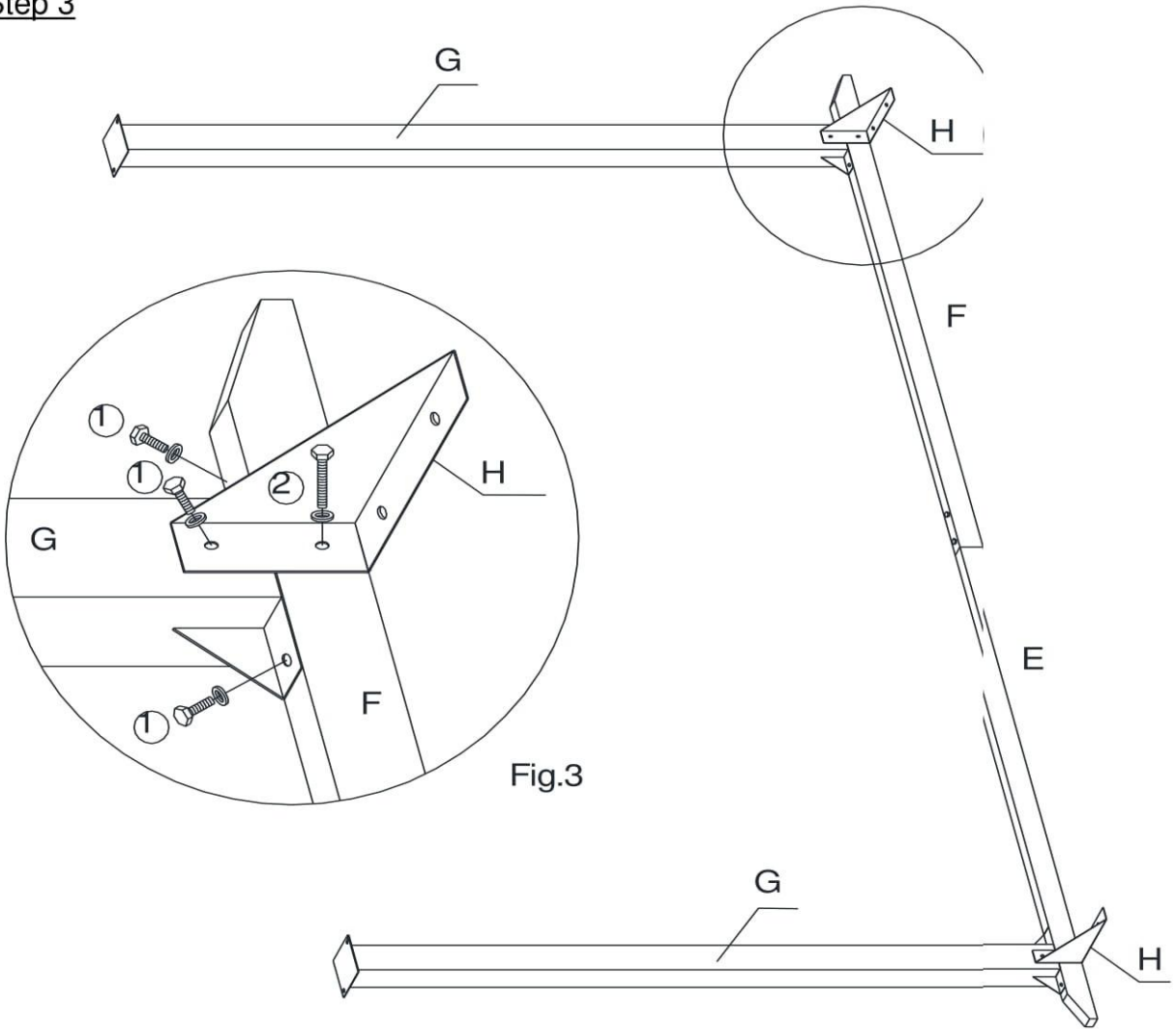


Fig.3

Attach Crossbar(E) to Main Pillar(G) using Bolts(1) with Wrench(5).

Attach Base(H) to the Main Pillar(G) using Bolts(1) and Bolts(2) with Wrench(5).

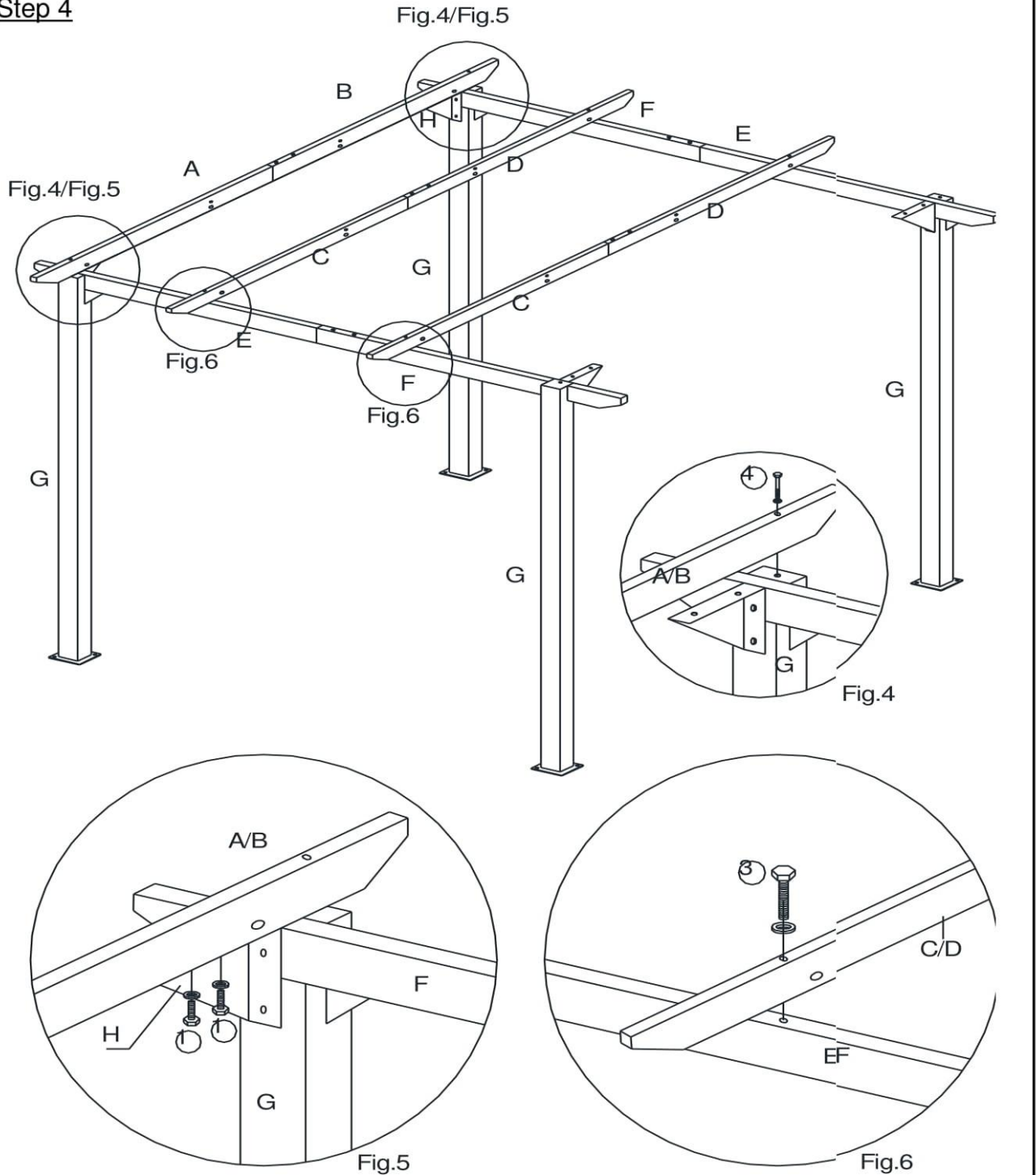
Attach Brace(H) to the Main Pillar(G) using Bolts(①) and Bolts(②) with Wrench(⑤).

Attach Crossbar(F) to Main Pillar(G) using Bolts(①) with Wrench(⑤)

Attach Brace(H) to the Main Pillar(G) using Bolts(①) and Bolts(②) with Wrench(⑤). (See Fig. 3) (See g. 5)

**Do not fully tighten the Bolts.**

### Step 4



Attach the Outer Crossbars(A/B) to Main Pillars(G) using Bolts(④) with Wrench(⑤). (See Fig. 4)

Attach Braces(H) to the Outer Crossbars(A/B) using Bolts(①) with Wrench(⑤). (See Fig. 5)

Attach Center Crossbars(C/D) to Crossbars(E/F) using Bolts(③) with Wrench(⑤). (See Fig. 6)

**Do not fully tighten the Bolts.**



Step 5

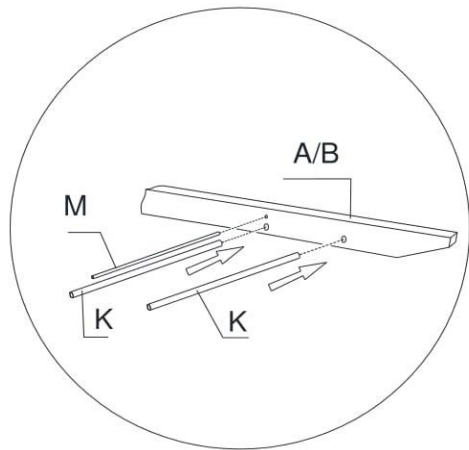
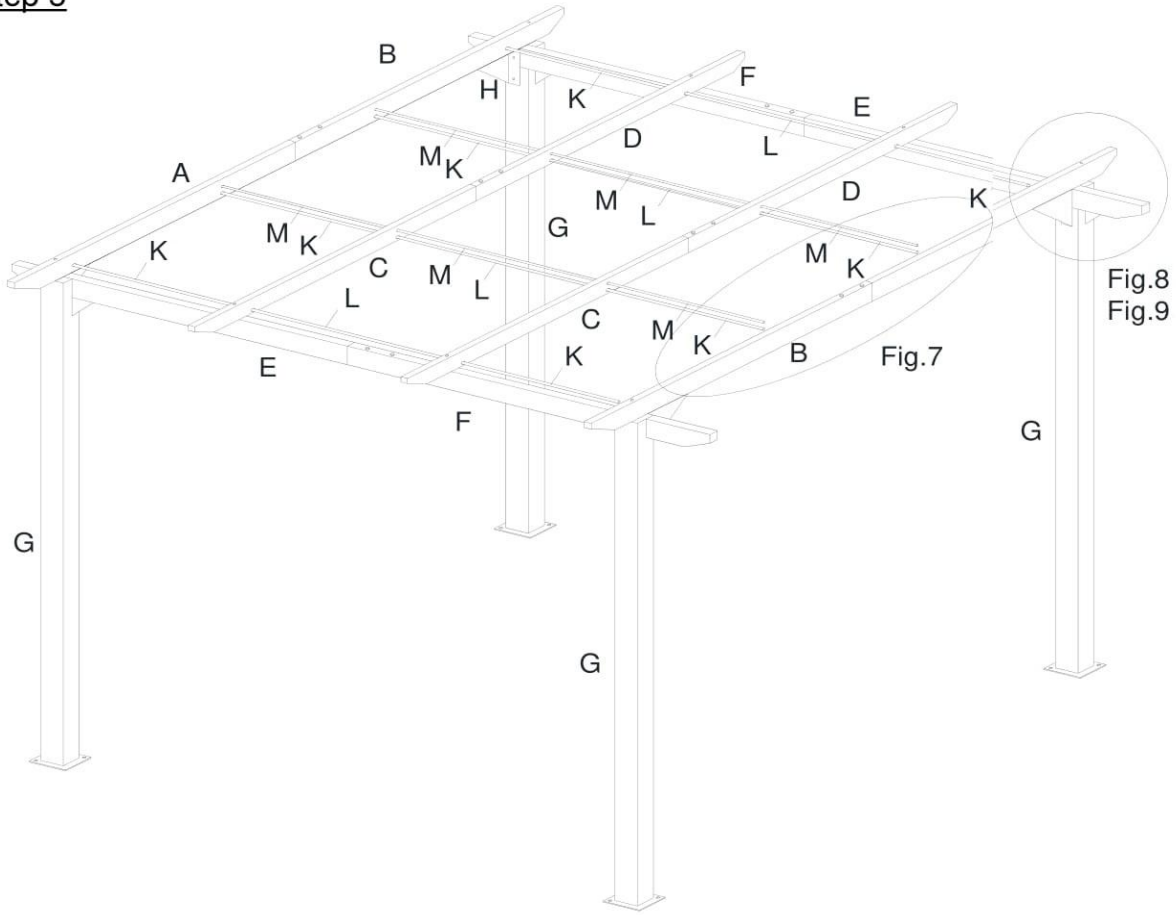
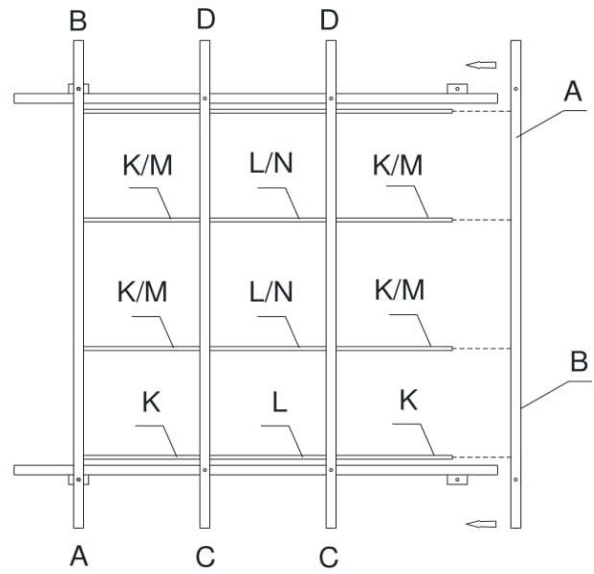


Fig.7



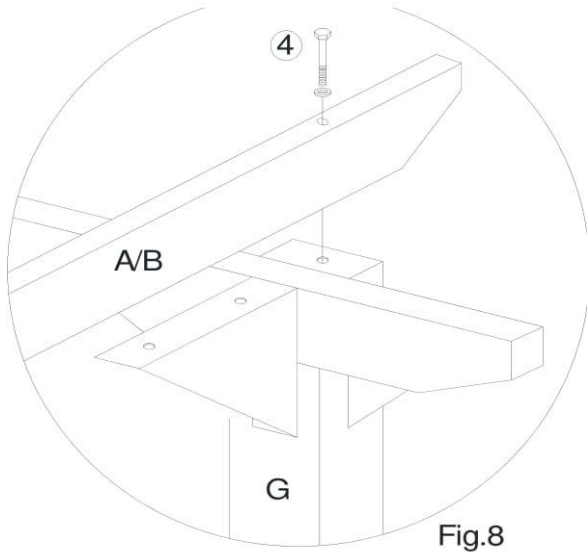


Fig.8

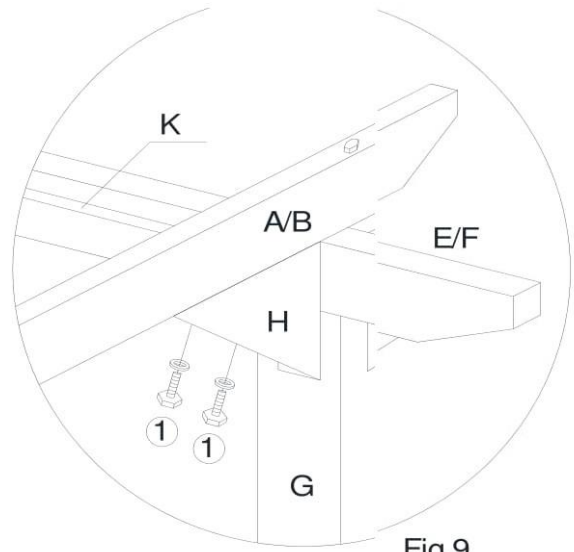


Fig.9

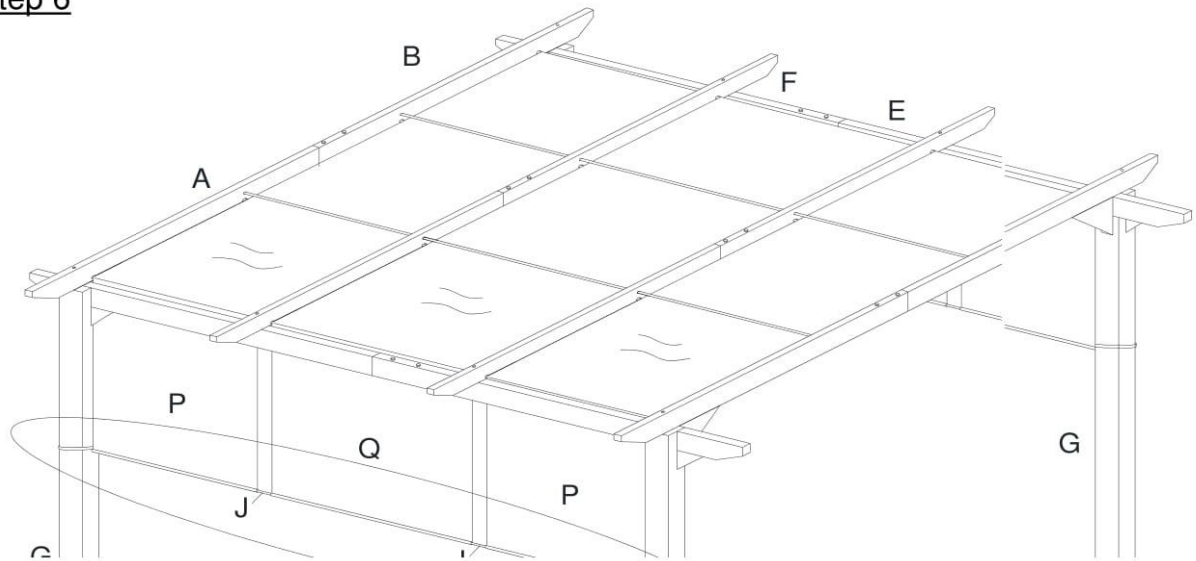
Insert the Supporting Fabric Tubes(K/L) and Pressing Fabric Tubes(M/N) into the mountings of the Crossbars(A/B/C/D). (See Fig.7)

Attach the Outer Crossbars(A/B) to Main Pillars(G) using Bolts(4) with Wrench(5). (See Fig. 8)

Attach Braces(H) to Outer Crossbars(A/B) using Bolts(1) with Wrench(5). (See Fig. 9)

**Now, fully and securely, tighten all Bolts, at all joints.**

### Step 6



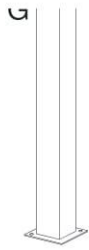


Fig.10  
Fig.11

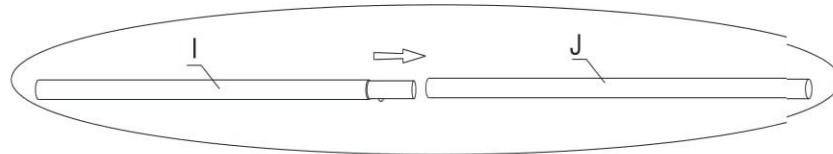
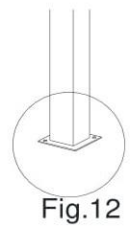
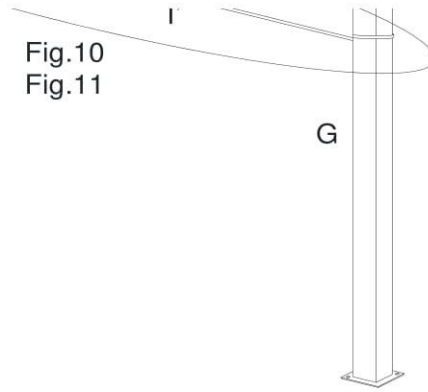


Fig.10

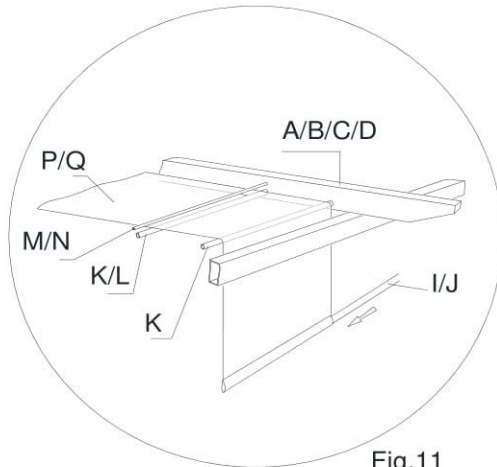


Fig.11

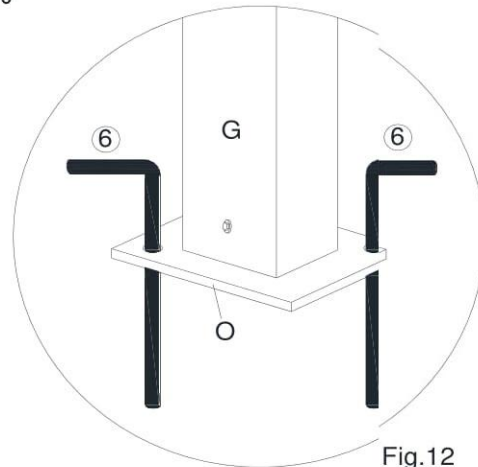






















Fig.12

Attach Pull Tubes(I) to Pull Tubes(J) using the preattached snap buttons. (See Fig.10)  
 Insert the Canopy(P/Q) between the Supporting Fabric Tubes(K/L) and Pressing Fabric Tubes(MN).  
 Then insert the Pull Tubes(I/J) into the sleeves of the Canopy (P/Q). (See Fig. 11) **Note: Insert the Pull Tubes (I/J) from the end of sleeve of the Canopy (P) which is with velcro strap through the Canopy (Q) into sleeve of the Canopy(P).**  
 Adjust the position of the Gazebo as desired.  
 Secure the Gazebo to the ground by inserting the Stakes(6) through the Main Pillar(G) bases. (See Fig.12)  
 Your Gazebo is ready for use.

**This Gazebo can only be used on a flat, level surface.**

## Care & Maintenance

- 

 Do not put hot items directly on furniture surface
- 

 Do not clean furniture with harsh cleansers or polish.
- 

 To obtain the longest life span of your outdoor products, minimizing exposure to direct sunlight is recommended.
- 

 Children should not climb or jump on the furniture.

-  ● Children should not climb or jump on the furniture.
  -  ● Do not write on furniture without a padded barrier to protect the surface.
  -   ● To obtain the longest lifespan of your outdoor products, avoid extended and lengthy exposure to rain, snow, and direct sunshine. Whenever possible cover the product and /or place under patio or awnings.
  -  ● Not for commercial use. For residential use only .
  -  ● Stains may be removed with mild soap solution and damp cloth.
- 
-   ● Dust and pick-up spills using a clean, non-colored, lint-free cloth .